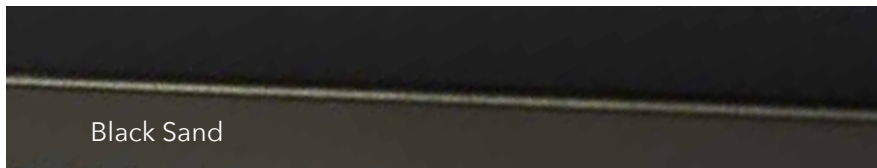


# CABLE RAILING

## SIMPLIFIED



[www.FortressRailing.com](http://www.FortressRailing.com)

## CABLE MADE. FORTRESS EASY.

Research told us that Cable Railing was very difficult to install and very costly. With that in mind, Fortress set out on a mission to not only simplify Cable Railing but to create the first vertical Cable Railing system in the industry. We have succeeded! Now Cable Railing is not only affordable, anyone can install it. The sleek top and bottom rail make this option a great choice for style and function.



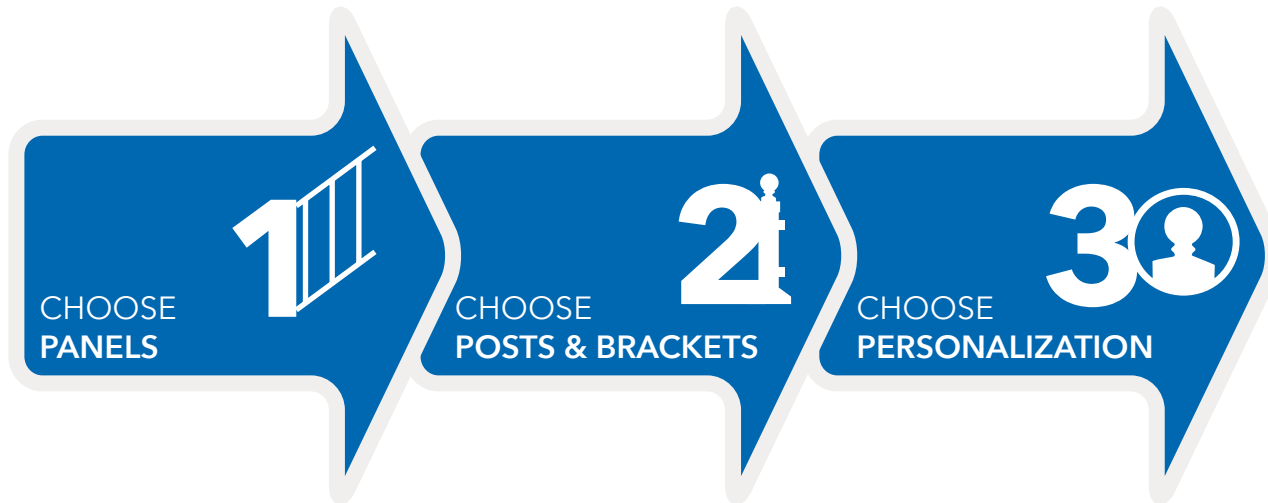


## FEATURES & BENEFITS

- 1st Vertical Cable Railing Panel in the Cable Railing Industry
- FortressShield Coated utilizing advanced automotive coating process to resist rust and corrosion
- Pre-assembled for ease of installation
- 316 Marine Grade Stainless Steel Cable and Components
- Works with Wood, Composite, Vinyl and Fortress Iron Posts
- Quick and Easy Installation
- Meets AC273, NBCC, OBC, ABC, and BCBC standards

## SIMPLE ASSEMBLY

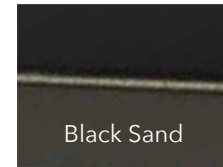
EASY AS 1, 2, 3 **FORTRESS**



# FORTRESS

## PREMIUM FINISH

Fortress Cable Railing Black Sand finish is engineered to withstand the elements.

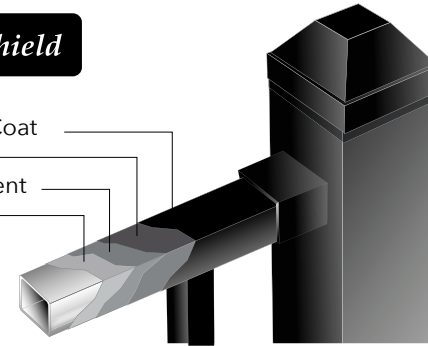


Black Sand

Protected with



Premium Powder Coat  
E-Coat  
Quality Pre-treatment  
Zinc Galvanized

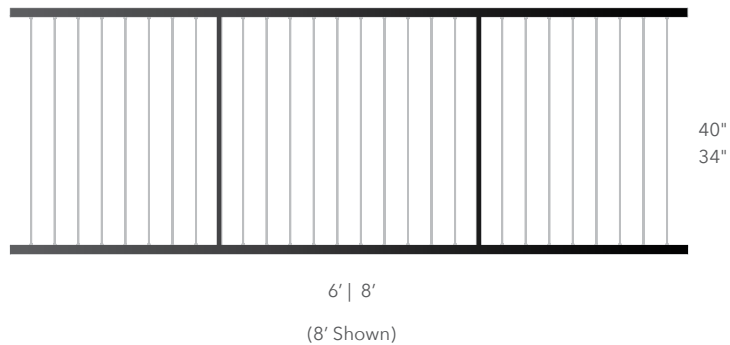


# CABLE RAILING SELECTION SIMPLIFIED

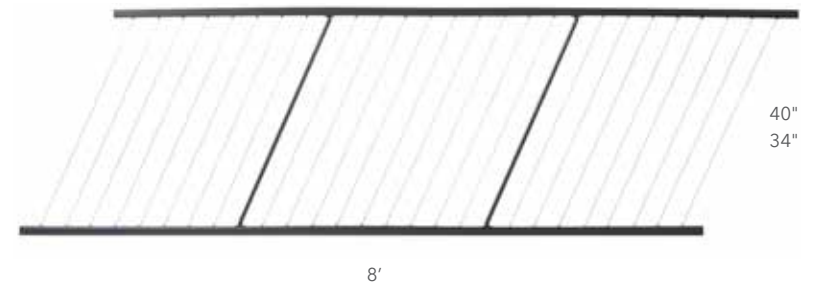
## | PANELS

All panels can be used with several types of posts such as Metal, Wood, Vinyl or Composite

### LEVEL



### STAIR ADJUSTABLE



I-Support  
(Panel support optional)

Reference the Fortress Railing Product Grid on page 65 for exact dimensions



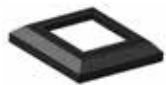
## 2 | POSTS & BRACKETS

### POSTS

All post base plates are pre-drilled enabling ease of wiring for lighting installations.

45.5" | 55"  
(Goes with 40" railing panel)

39.5" | 49"  
(Goes with 34" railing panel)



(Post Base Covers included in box)



2"

3"

2"

3"

(For Fascia Mount applications only)

Base Cover is not Required

### BRACKETS

#### UNIVERSAL BRACKET Hidden Fasteners (Patent Pending)



UB-05  
(Level)

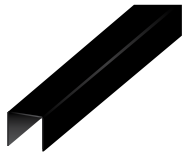


UB-05 ANG  
(Add to UB Bracket for Stair or Angle Application)

Please refer to the Fortress Railing Product Grid on page 65 for specific applications

## PANEL ACCESSORIES

### FLAT ACCENT TOP RAIL



### CAP RAIL CLIP

1.25" Cap Rail Clip only used with Cable Rail System - only available in Black Sand finish



## POST ACCESSORIES

### CAPS (Without Lighting Capability)



Pressed Dome Cap  
2" | 3"



Flat Pyramid Cap

### CAPS (With Lighting Capability)

For details on applications visit the FortressAccents on Page 45



2" | 3"  
Shown with Cap  
Light Kit



2" | 3"  
Shown with  
Glow Ring

### FortressAccents POST BASE COVER (Use with Wood, Vinyl or Composite Posts)



3.5" | 4" | 5" | 6"

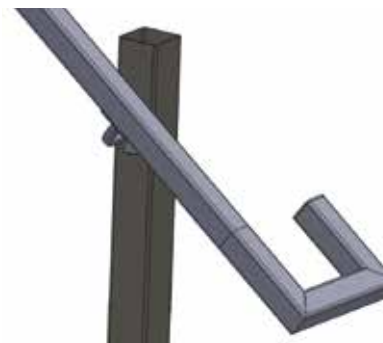
This is available in ALL finishes of  
Gloss Black, Antique Bronze, White,  
& Black Sand

### ACCENT LIGHTING LED LIGHT MOUNTS

(For details on applications visit the  
FortressAccents on Page 45)



### HANDRAIL SQUARE (IRON)



### ROUND (ALUMINUM)

